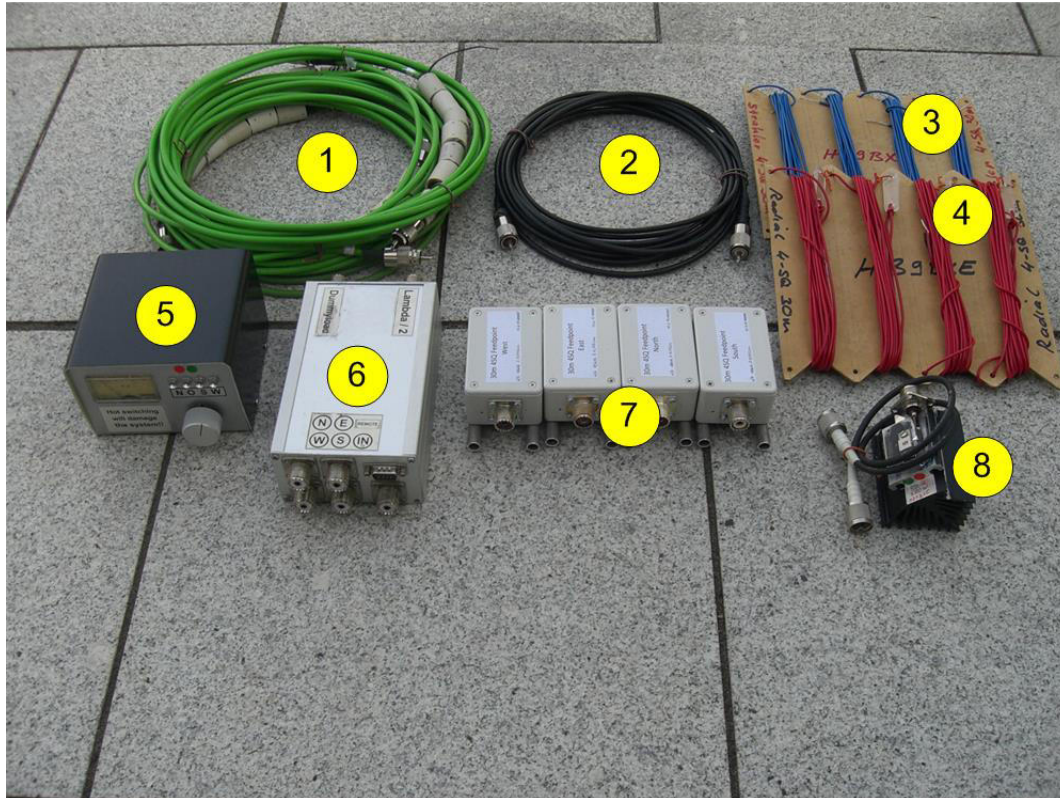


30m 4SQ System HB9BXE

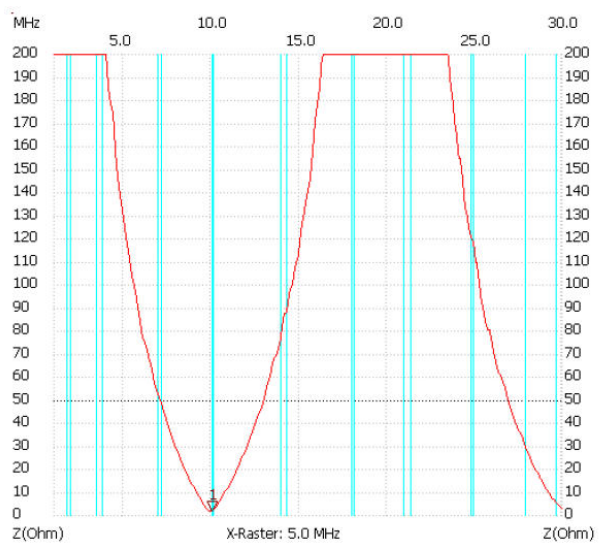
Developer DF6QV



Picture 1, complete System

Nr 1

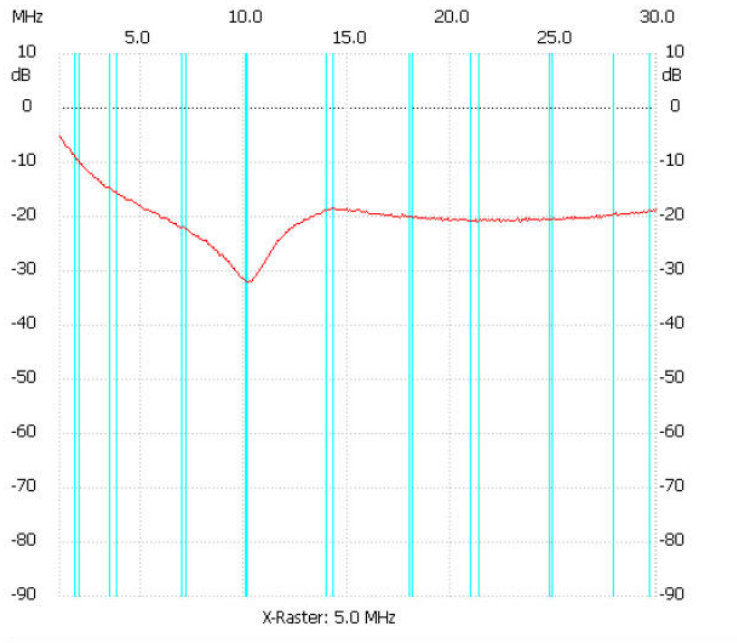
- 4 pieces phase lines, $\lambda/4$, 75 Ω Coaxial Cable



Kursor 1:
10.012568 MHz
Z: 1.8984 Ohm

Picture 2, measurement results

- Included 4 current balun,

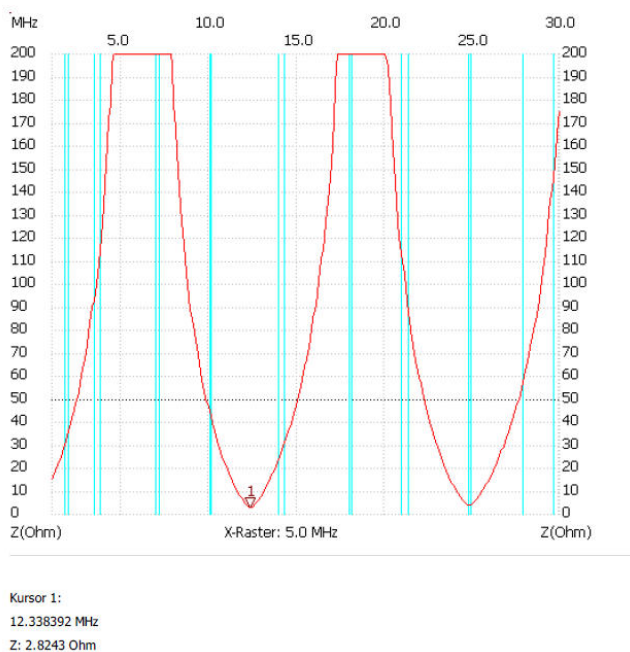


Picture 3, measurement results, > 30dB at 10MHz

- Weight total = 1.838 Kg, included 4 piece current balun

Nr 2

- 1 pieces 180° phase lines, $\lambda/2$, 50Ω Coaxial Cable, weight total = 0.372 Kg



Picture 4, measurement results 180° phase lines

Nr 3

- 4 pieces antenna wires, each 7.15m long, red color, weight total 0.393 Kg, including bobbin.

Nr 4

- 4 pieces radials with end-insulator, each 7.30m long, blue color, weight total 0.418 Kg, including bobbin.

Nr 5

- 1 Remote control box, weight totals 0.299Kg.
Voltage in 12V, current consumption 100mA, power cable with plug included.
No power supply included!!!!

Nr 6

- 1 Phasing coupler, weight totals 0.748Kg.
Including 2 spare relays (inside (

Nr 7

- 4 pieces feed-point, weight total 0.420Kg.

Nr 6

- 1 pieces dummy load, 50 Ω , 200W, including 50 Ω cable, weight total 0.748Kg.

Nr. 7 (not in Picture)

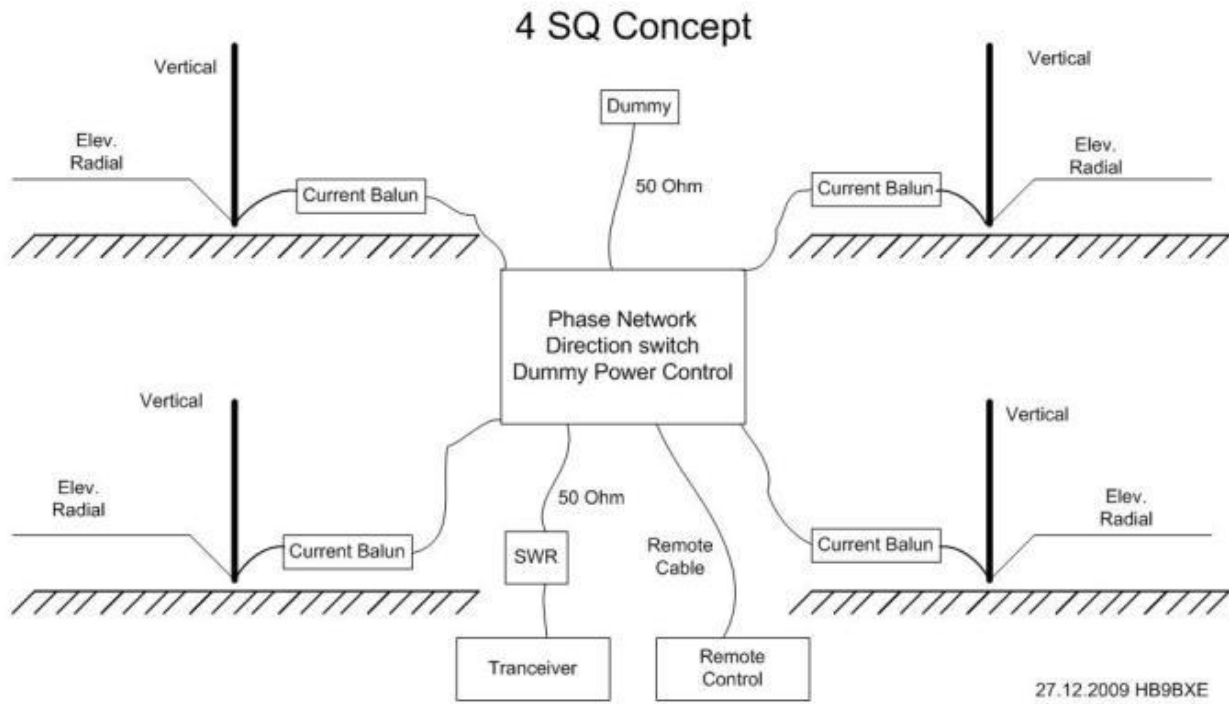
Remote- cable 8-wire RS323 cable, length 20m

The following items need to be added

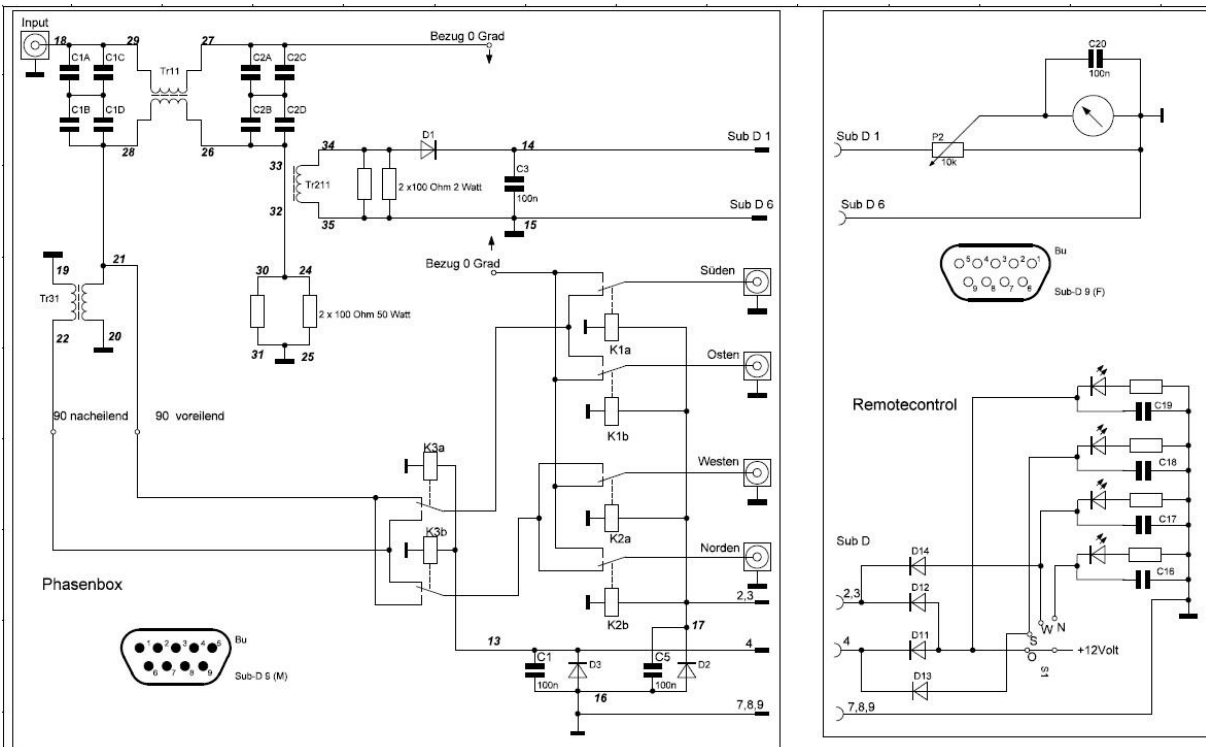
a.) 1 Power supply 12V/200mA, or driven by K3 Transceiver

b.) 4 Fiber mast with guying

c.) 4x3 bamboo stick, 1.5m, with guying



Schematic



23. oktober 2017 HB9BXE