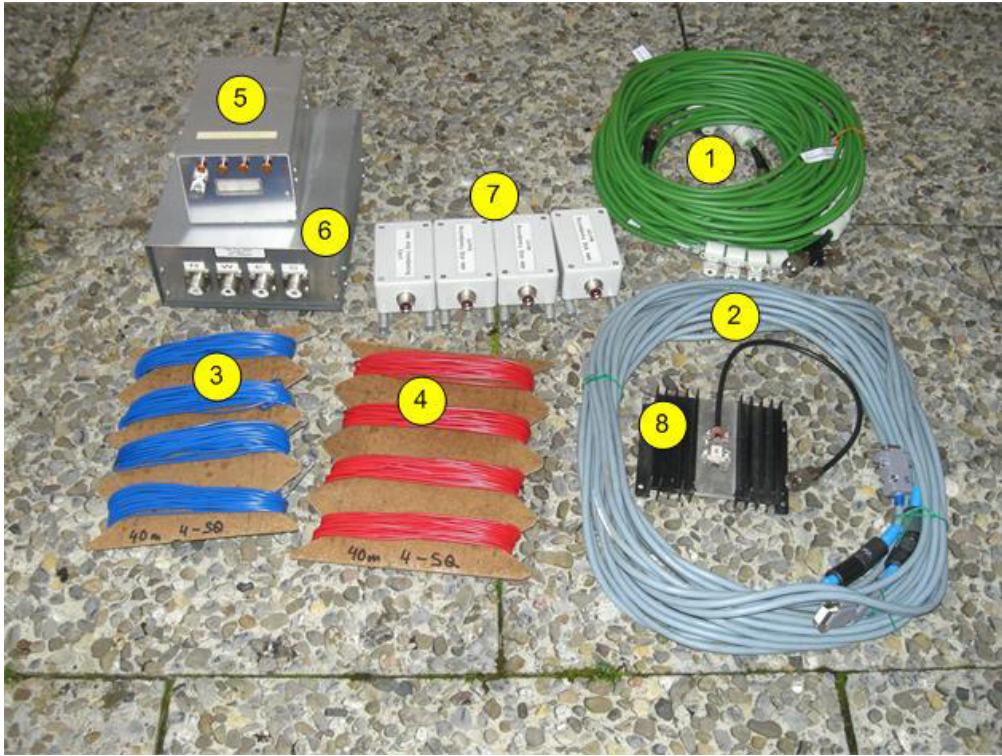


40m 4SQ System HB9BXE

Developer DF6QV



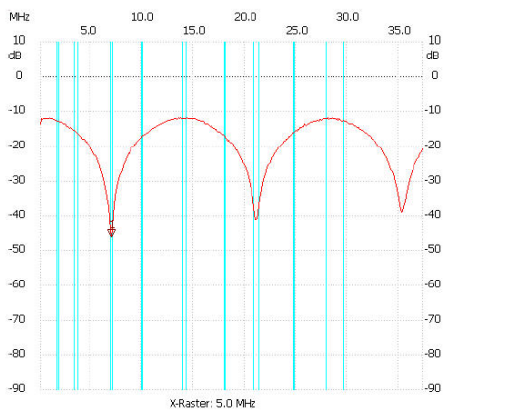
Picture 1, complete System

Nr 1

- 4 pieces phase lines, $\lambda/4$, 75 Ω Coaxial Cable

NWT 4 Linux & Windows 02 November 2017, 17:46

Startfrequenz: 0.100000 MHz; Endfrequenz: 37.333084 MHz; Schrittweite: 93.316 kHz
Messpunkte: 400; Zwischenzeit: 0 uSek

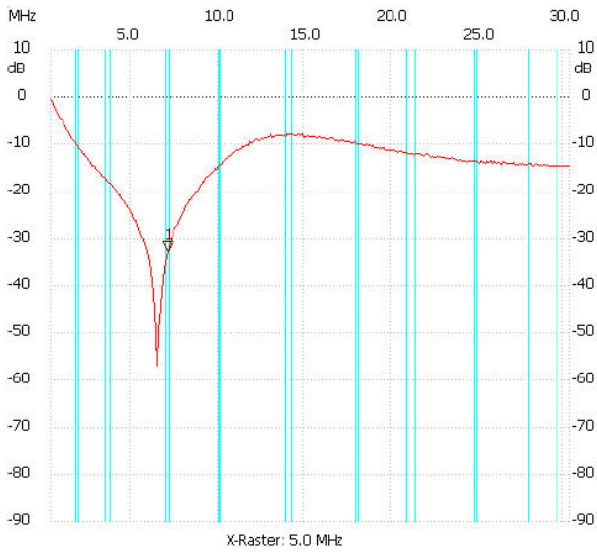


Picture 2, measurement results

- Included 4 current balun,

NWT 4 Linux & Windows 02 November 2017, 17:52

Startfrequenz: 0.300000 MHz; Endfrequenz: 30.333084 MHz; Schrittweite: 75.271 kHz
 Messpunkte: 400; Zwischenzeit: 0 uSek



Kursor 1:
 7.074380 MHz
 Kanal1: -32.51dB

Picture 3, measurement results, > 32dB at 7MHz

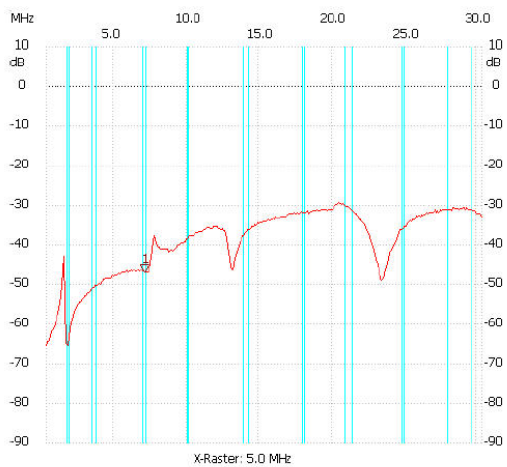
- Weight total = 1.838 Kg, included 4 piece current balun

Nr 2

- Remote cable, 9-pole RS-232 conector, 20m long with curent balung

NWT 4 Linux & Windows 02 November 2017, 17:56

Startfrequenz: 0.300000 MHz; Endfrequenz: 30.333084 MHz; Schrittweite: 75.271 kHz
 Messpunkte: 400; Zwischenzeit: 0 uSek



Kursor 1:
 7.074380 MHz
 Kanal1: -46.81dB

Picture 4, measurement remote cable 20m with curent balun, at 7MHz =>46dB

Nr 3

- 4 pieces antenna wires, each 10.25m long, red color, including bobbin.

Nr 4

- 4 pieces radials with end-insulator, each 10.25m long, blue color, including bobbin.

Nr 5

- 1 Remote control box, weight totals 0.320Kg.
Voltage in 12V, current consumption 100mA, power cable with plug included.
No power supply included!!!!

Nr 6

- 1 Phasing coupler, weight totals 1.970Kg.

Nr 7

- 4 pieces feed-point, weight total 0.420Kg.

Nr 6

- 1 pieces dummy load, 50 Ω , 150W, including 50 Ω cable, weight total 0.748Kg.

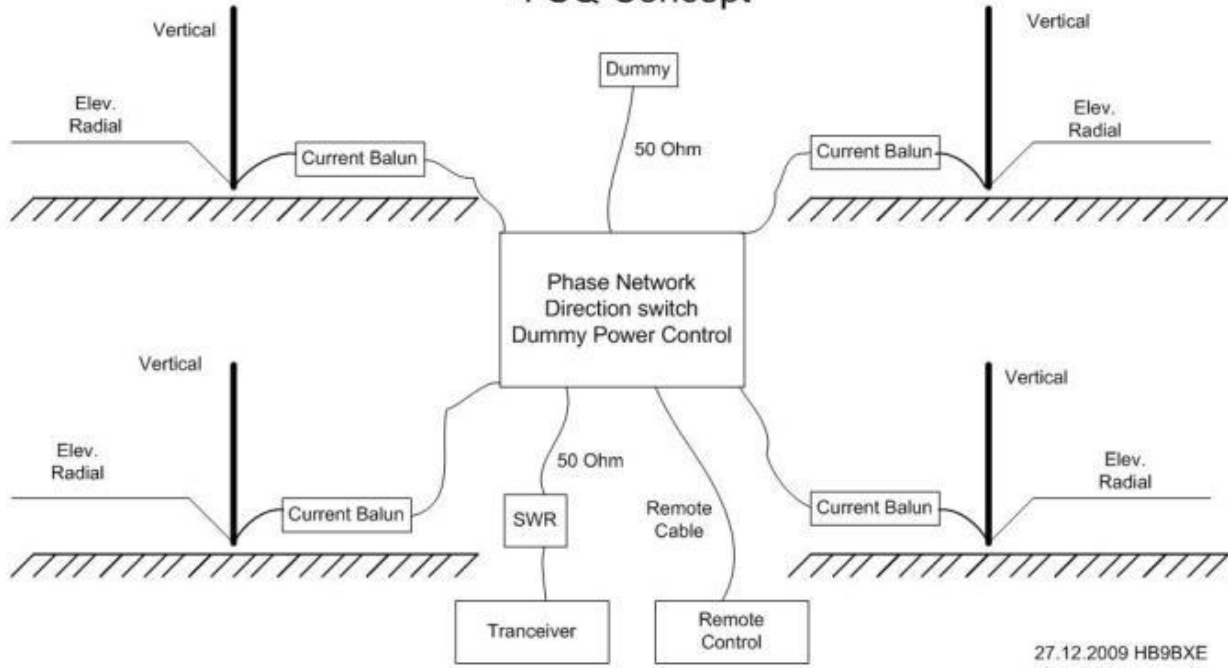
Nr. 7 (not in Picture)

Remote- cable 8-wire RS323 cable, length 20m

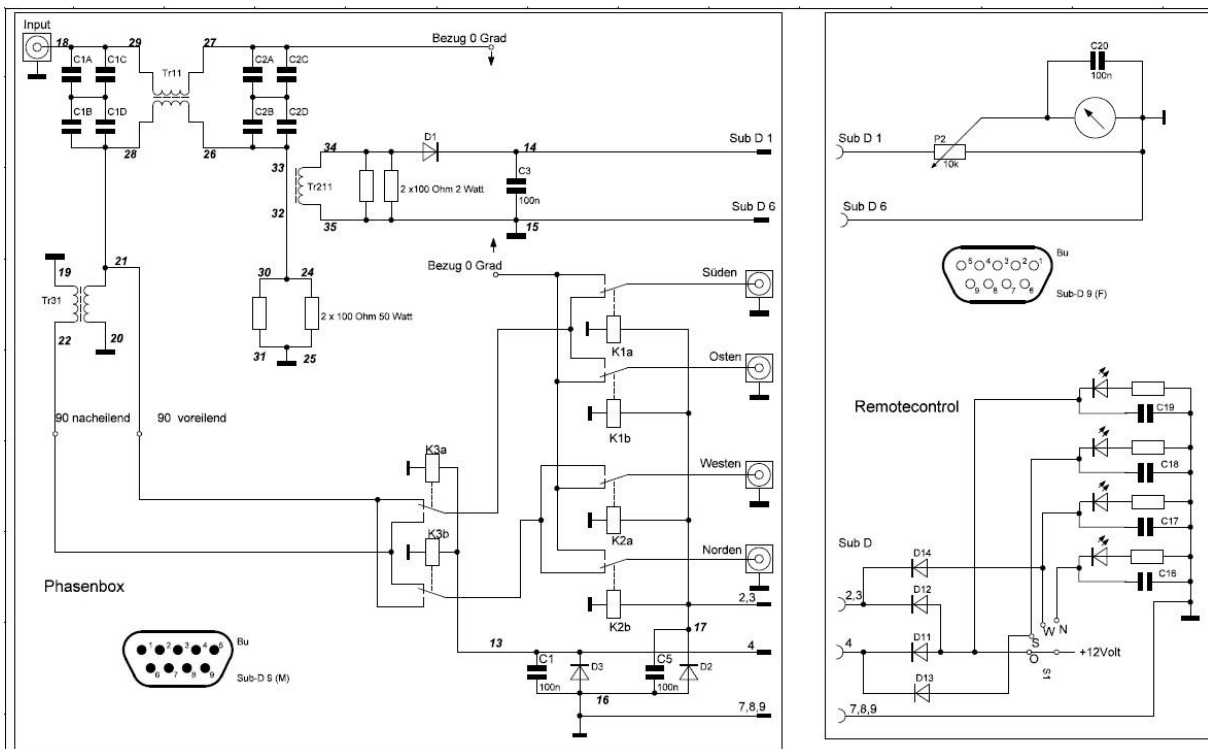
The following items need to be added

- a.) 1 Power supply 12V/200mA, or driven by K3 Transceiver
- b.) 4 Fiber mast with guying
- c.) 4x3 bamboo stick, 1.5m, with guying

4 SQ Concept



Schematic



23. oktober 2017 HB9BXE